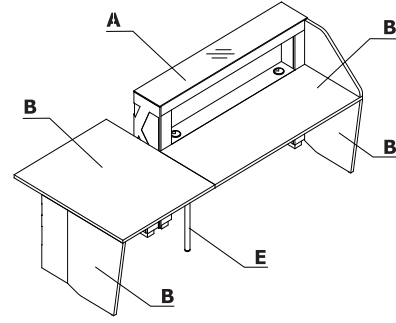
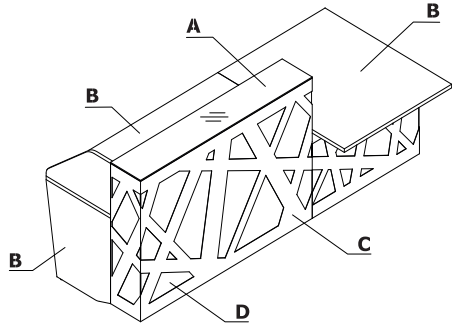


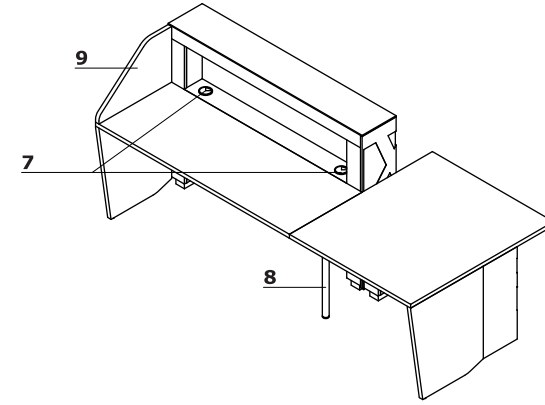
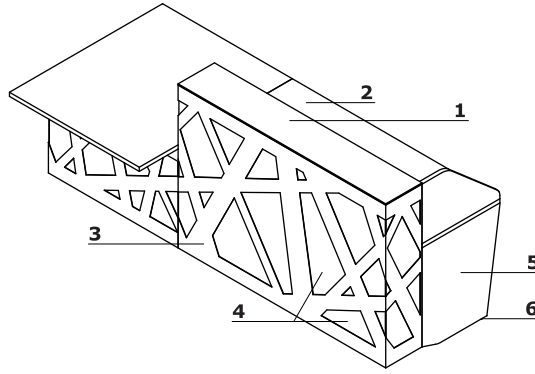
Colour combination - Zig - Zag



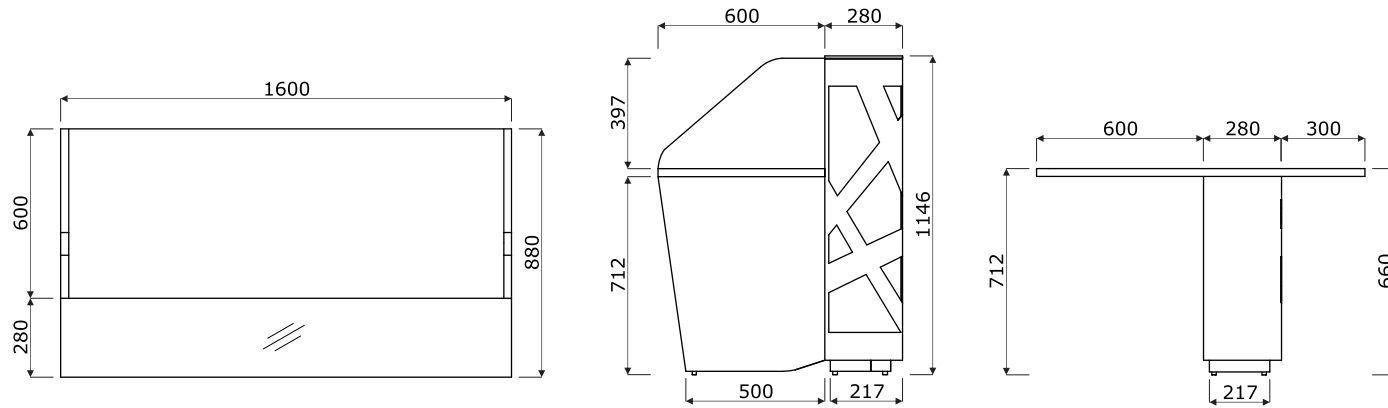
Material	Colour	All elements																
		A - Upper top	B - Body	C - Front - metal	D - Front - plexiglass	E - Supporting leg												
	117 - glass white - RAL 9003	✓																
	MFC - 67 - white pastel		✓															
	Metal - M015 - white semi-mat			✓		✓												
	Plexiglas - white				✓													

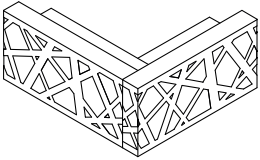
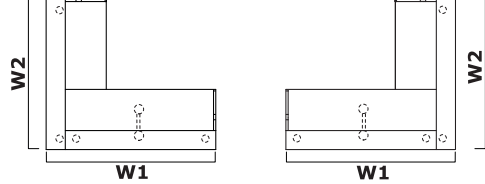
## Technical specification

- 1 Top** - tempered optiwhite glass, 8 mm - painted on bottom side
- 2 Worktop** - MFC 28 mm, ABS edge
- 3 Front** - powder coated steel and plexiglas
- 4 Light source** - RGBW LED, remote control
- 5 Low side panel** - MFC 28 mm, ABS edge
- 6 Leveling** - 5 mm range
- 7 Cable grommets** - Ø80 mm
- 8 Supporting leg NL41** - required for connecting the tops
- 9 Side panel** - MFC 28 mm, ABS edge

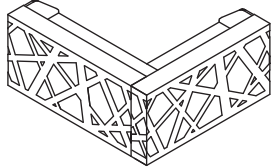
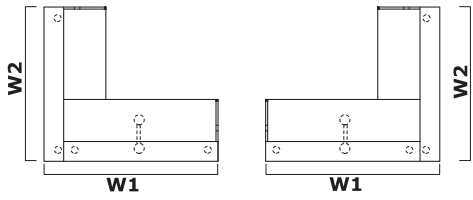


## Dimensions (mm)

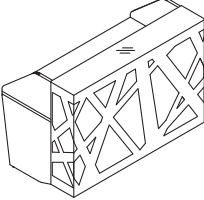
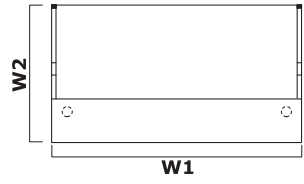


 		Dimensions					kg m3 pcs	Composition elements
		W1	W2	D1	D2	H		
<b>LZG44</b>		2480	2200	1622	850	1146	276.2 kg 3.224 m3 14 pcs	LZN51+LZB22+2xLZG22+LZB22M+NL41

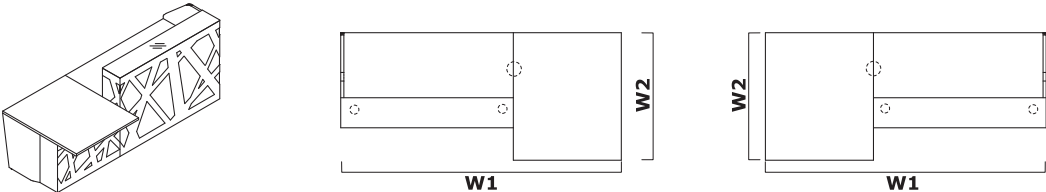
Extra charge						

 		Dimensions					kg m3 pcs	Composition elements
		W1	W2	D1	D2	H		
<b>LZG45</b>		2480	2200	1622	850	1146	283.2 kg 3.243 m3 15 pcs	LZN51+LZK01+2xLZG22+LZB22 +LZB22M+NL41

Extra charge						

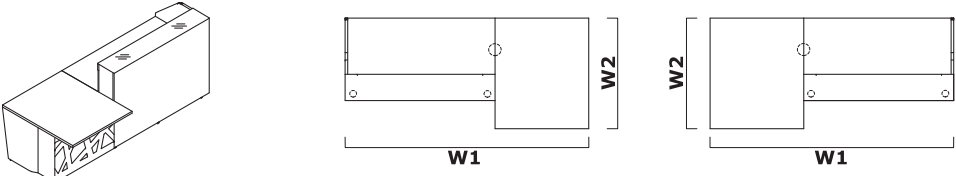
 		Dimensions					kg m3 pcs	Composition elements
		W1	W2	D1	D2	H		
<b>LZG34</b>		1600	880	1622	850	1146	126.901 kg 1.245 m3 7 pcs	LZN51+LZK01+LZG16+LZB16
<b>LZG46</b>		2200	880	1622	850	1146	156.9 kg 1.69 m3 8 pcs	LZN51+LZK01+LZG22+LZB22

Extra charge						



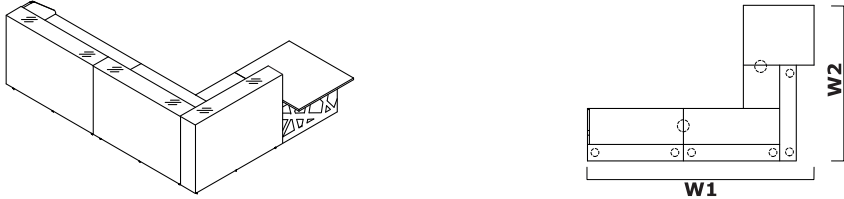
Symbol		Dimensions					kg m3 pcs	Composition elements
		W1	W2	D1	D2	H		
<b>LZG50</b>		2600	1180	1622	850	1146	208.401 kg 1.798 m3 11 pcs	LZN51+LZG10+LZG16+LZB16 +LZK01+NE41L
<b>LZG51</b>		3200	1180	1622	850	1146	238.4 kg 2.242 m3 12 pcs	LZN51+LZG10+LZG22+LZB22 +LZK01+NE41L

Extra charge					



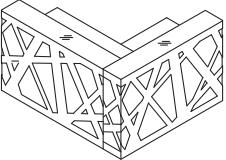
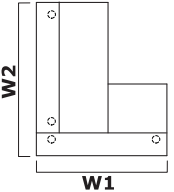
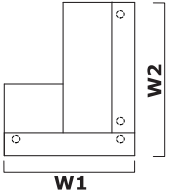
Symbol		Dimensions					kg m3 pcs	Composition elements
		W1	W2	D1	D2	H		
<b>LZG56</b>		2600	1180	1622	850	1146	210.401 kg 1.798 m3 11 pcs	LZG10+LZG16M+LZB16+LZN51 +LZK01+NE41L

Extra charge					

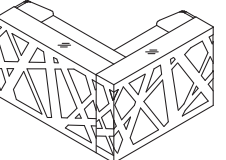
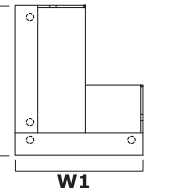
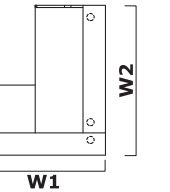


Symbol		Dimensions					kg m3 pcs	Composition elements
		W1	W2	D1	D2	H		
<b>LZG57</b>		3200	2880	1622	850	1146	419.202 kg 4.153 m3 23 pcs	LZN51+LZG10+LZB16M+2xLZB16+3xLZG16M+LZK01+2xNE41L

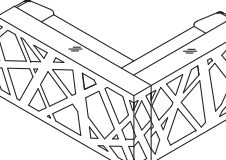
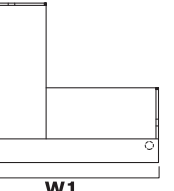
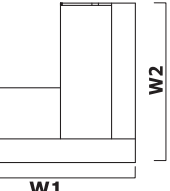
Extra charge					

  		Dimensions					kg m3 pcs	Composition elements
		W1	W2	D1	D2	H		
<b>LZG32</b>		1600	1880	1622	850	1146	217.501 kg 2.386 m3 12 pcs	LZB16M+2xLZG16+LZB16+LZN51

Extra charge						

  		Dimensions					kg m3 pcs	Composition elements
		W1	W2	D1	D2	H		
<b>LZG35</b>		1600	1880	1622	850	1146	224.501 kg 2.405 m3 13 pcs	LZB16M+2xLZG16+LZB16+LZN51+LZK01

Extra charge						

  		Dimensions					kg m3 pcs	Composition elements
		W1	W2	D1	D2	H		
<b>LZG36</b>		2200	1880	1622	850	1146	252.501 kg 2.799 m3 13 pcs	LZN51+LZK01+LZB22+LZG22 +LZB16M+LZG16

Extra charge						

Symbol		Dimensions					kg m3 pcs	Composition elements
		W1	W2	D1	D2	H		
<b>LZG38</b>		2480	1600	1622	850	1146	245.501 kg 2.779 m3 12 pcs	LZN51+LZB16+LZG22+LZB22M +LZG16

Extra charge						

Symbol		Dimensions					kg m3 pcs	Composition elements
		W1	W2	D1	D2	H		
<b>LZG40</b>		2480	1600	1622	850	1146	252.501 kg 2.799 m3 13 pcs	LZN51+LZK01+LZB16+LZG22 +LZB22M+LZG16

Extra charge						

Symbol		Dimensions					kg m3 pcs	Composition elements
		W1	W2	D1	D2	H		
<b>LZG42</b>		2480	1600	1622	850	1146	252.4 kg 2.849 m3 11 pcs	LZN51+LZK01+LZB22+LZG22 +LZB16M+LZG16+NL41

Extra charge						

Symbol		Dimensions					kg m3 pcs	Composition elements
		W1	W2	D1	D2	H		
<b>LZG58</b>		3808	2880	1622	850	1146	415.202 kg 4.153 m3 23 pcs	LZN51+LZK01+2xLZB16+2xLZG16+LZG16M+LZB16M+LZG10N +2xNE41L

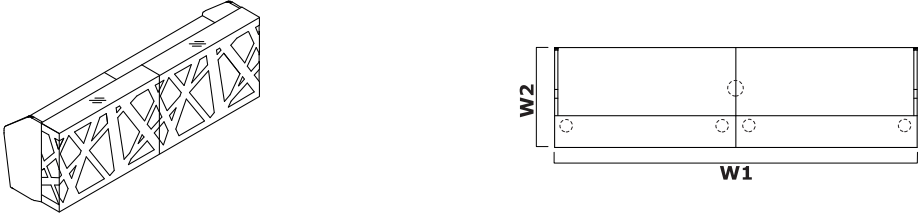
Extra charge						

Symbol		Dimensions					kg m3 pcs	Composition elements
		W1	W2	D1	D2	H		
<b>LZG52</b>		4200	1180	1622	850	1146	314.802 kg 2.991 m3 17 pcs	LZN51+LZK01+LZB16+LZG16 +LZG10+LZG16+LZB16+2xNE41L
<b>LZG53</b>		4800	1180	1622	850	1146	344.801 kg 3.435 m3 18 pcs	LZN51+LZK01+LZB16+LZG16 +LZG10+LZG22+LZB22+2xNE41L
<b>LZG54</b>		5400	1180	1622	850	1146	374.8 kg 3.88 m3 19 pcs	LZN51+LZK01+LZB22+LZG22 +LZG10+LZG22+LZB22+2xNE41L

Extra charge						

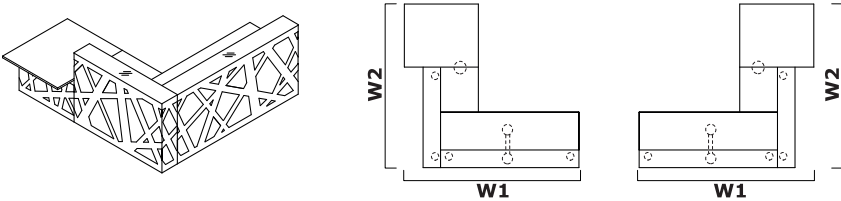
Symbol		Dimensions					kg m3 pcs	Composition elements
		W1	W2	D1	D2	H		
<b>LZG55</b>		4200	1180	1622	850	1146	307.802 kg 2.971 m3 16 pcs	LZN51+LZB16+2xLZG16+LZG10 +LZB16+2xNE41L

Extra charge						



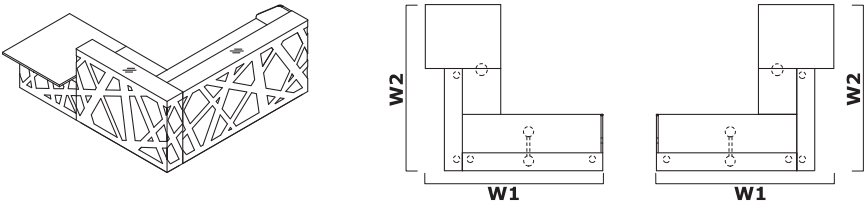
Symbol		Dimensions					kg m3 pcs	Composition elements
		W1	W2	D1	D2	H		
<b>LZG60</b>		3200	880	1622	850	1146	233.302 kg 2.438 m3 13 pcs	LZN51+LZK01+LZB16+LZG16 +LZB16+LZG16+NE41L
<b>LZG61</b>		3800	880	1622	850	1146	263.301 kg 2.882 m3 14 pcs	LZN51+LZK01+LZB16+LZG16 +LZB22+LZG22+NE41L
<b>LZG62</b>		4400	880	1622	850	1146	293.3 kg 3.327 m3 15 pcs	LZN51+LZK01+LZB22+LZG22 +LZB22+LZG22+NE41L

Extra charge						



Symbol		Dimensions					kg m3 pcs	Composition elements
		W1	W2	D1	D2	H		
<b>LZG64</b>		2600	2780	1622	850	1146	328.3 kg 3.383 m3 16 pcs	LZN51+LZB22+LZG22+LZG16 +LZB16M+LZG10+NL41+NE41L

Extra charge						

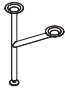
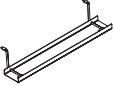
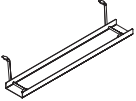


Symbol		Dimensions					kg m3 pcs	Composition elements
		W1	W2	D1	D2	H		
<b>LZG63</b>		2600	2780	1622	850	1146	335.3 kg 3.402 m3 17 pcs	LZN51+LZK01+LZB22+LZG22 +LZG16+LZG16M+LZG10+NL41+NE41L

Extra charge						





Composition elements							
	Symbol		Dimensions			kg m3 pcs	Comments
			Width	Depth	Height		
	<b>NL41</b>		585	142	712	2 kg 0.063 m3 1 pcs	round profile leg
	<b>E64L</b>		460	89	120	0.5 kg 0.001 m3 1 pcs	horizontal cable tray, M009 - aluminium semi-matt
	<b>S69L</b>		580	162	123	1 kg 0.015 m3 1 pcs	09 - aluminium

Extra charge						