



## U Floe **UF BOX**

An inspiration for the creation of the U\_FLOE were the ice floes, which in a completely random way create the interesting, harmonising systems. The individual elements of the collection, combined in the selected system, provide each user with a bit of intimacy while fulfilling many functions.

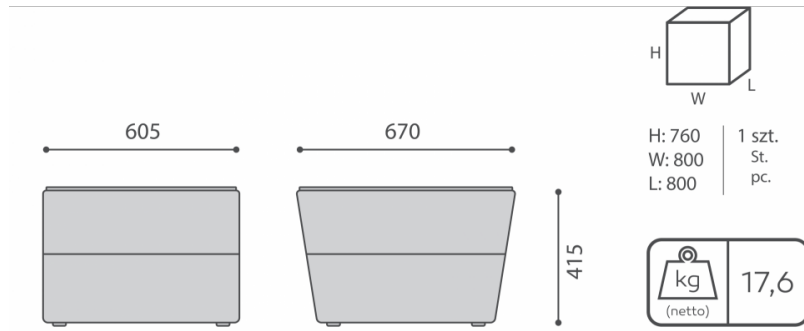
### **UF BOX / Technical data**

● Standard    ○ Option

<b>Base of UF BOX/ UF TB</b>	<b>CODE</b>
Feet made from black material	●
<b>Colours of the HPL table tops UF BOX/ UF TB</b>	<b>CODE</b>
White with a black core	○
Black with a black core	○
<b>Additional equipment</b>	<b>CODE</b>
Additional table top HPL	<b>T</b> ○

## UF BOX / Dimensions

Dimensions are approximate and may vary depending on the selected product configuration. The requirements of the standard are always met.



UF BOX



## U Floe **UF TB**

An inspiration for the creation of the U\_FLOE were the ice floes, which in a completely random way create the interesting, harmonising systems. The individual elements of the collection, combined in the selected system, provide each user with a bit of intimacy while fulfilling many functions.

### **UF TB / Technical data**

Standard     Option

#### **Base of UF BOX/ UF TB**

**CODE**

Feet made from black material

#### **Colours of the HPL table tops UF BOX/ UF TB**

**CODE**

White with a black core

Black with a black core

#### **Additional equipment**

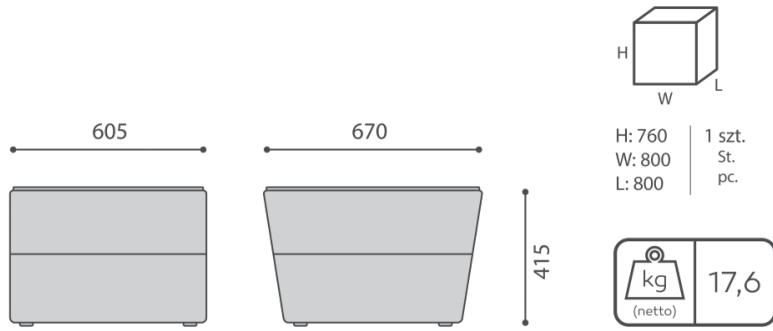
**CODE**

Additional table top HPL

**T**

## UF TB / Dimensions

Dimensions are approximate and may vary depending on the selected product configuration. The requirements of the standard are always met.



UFTB