



Acoustical lighting solution

Stretching the BuzziFelt to its limits, BuzziBell is recognized by the harmonious curve of its bell-shape. Its design adds softness to a room with the textural look of felt and a delicate, diffused light source or high performance LED engine. BuzziBell is offered in the 12 BuzziFelt colors, has a metal feature and will be CE and UL listed. BuzziBell makes a statement in offices, restaurants, hotels, institutions and residences.

Design by Chris Hardy

General

 Ceiling Suspended

Cover in BuzziFelt



2 metal suspension cables

Powder coated metal ceiling canopy

Transparent power cord

Wattage: 29,4W

Input Voltage: 220 - 240V

Input Frequency: 50/60Hz

Lumen output: 2545 lumen



Color Temperature: 3000K

Color Rendering Index: 90

Unified glare rating: 22 (version with prismatic diffusor UGR 19 on request)

Efficacy: 87 Lm/W

Dimmable: 1-10V Protocol



IP20 Dry usage



W Ø 60 cm H 60 cm



Powder coated metal frame in Black (RAL 9005), White (RAL 9010) or Fluo Yellow (RAL 1016)

Fixing System Screw with 2 cables of 2 m or 5 m in Black or Alu color



Assembled

Certifications

CE/CB

Acoustics



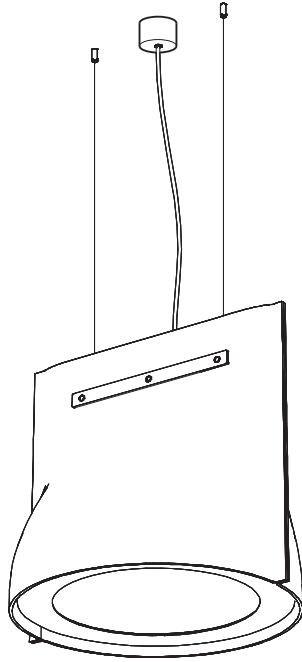
Absorption

Content

Configurations	3	Finishes	5
Composition	4	Dimensions	6
Fabrics	5	Acoustics	7

Configurations

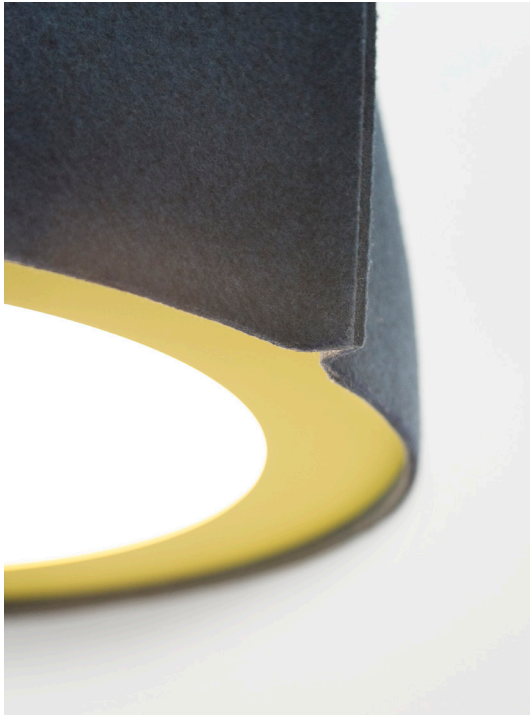
BuzziBell



- ◆ Ceiling Suspended
- ◆ Cover in BuzziFelt
- ◆ 2 metal suspension cables
- ◆ Powder coated metal ceiling canopy in white (RAL 9010)
- ◆ Transparent power cable
- ◆ W Ø 60 cm H 60 cm
- ◆ 11 kg
- ◆ Powder coated metal frame in Black (RAL 9005), White (RAL 9010) or Fluo Yellow (RAL 1016)
- ◆ Fixing System Screw with 2 cables of 2 m - 78.74" or 5 m - 196.85" in Black or Alu color
- ▲ If installing on suspended ceiling, verify load capacity prior to installation.

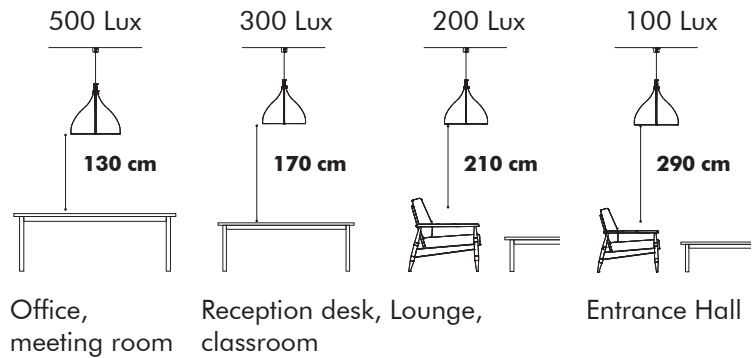
Composition

LED Disk



The LED disk has a PMMA diffuser which ensures an optimal light spread and efficiency. It creates a very diffuse light surface without any dottiness. The light source of the BuzziBell is a LED PCB, containing 36 low power LED's.

To enlight your workplace or room with optimal lux levels take following measures into account.



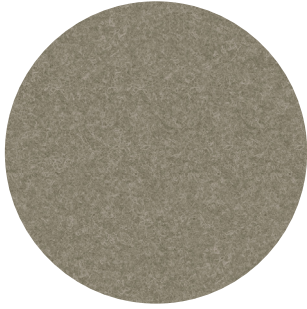
* According to EN12464

Ceiling canopy and power cord



Fabrics

Felt*



Composition 100% Recycled PE.T. Felt, latex backing

Weight 1.000 g/m² | 29.49 oz/yd²

Abrasion resistance >7.000 Martindale

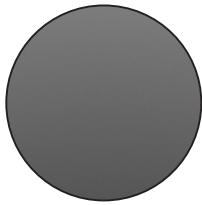
Flammability EU: EN 13501.1 + A1/2009 Class B-s1,d0
USA: ASTM E84 Class A certified

Fastness to light USA 5

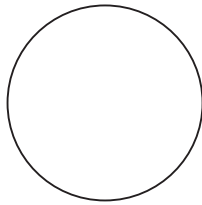


* Due to the process of thermoforming colors may vary slightly

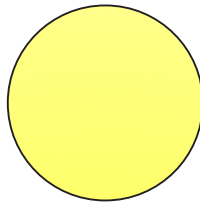
Finishes



Black
(RAL 9005)



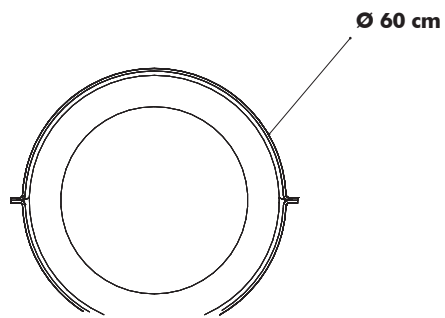
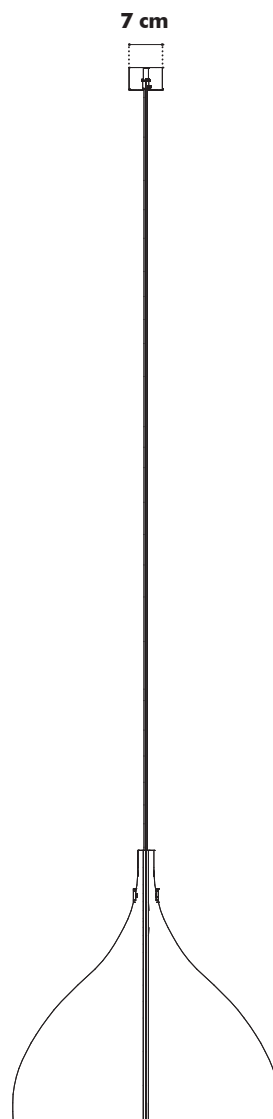
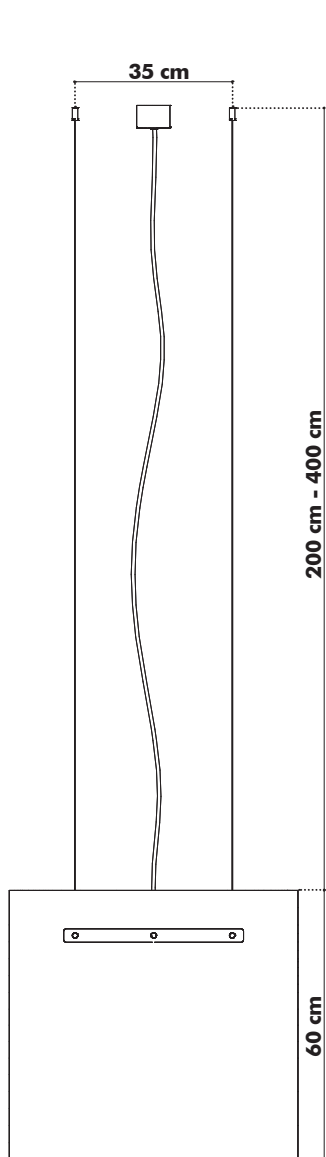
White
(RAL 9010)



Fluo Yellow
(RAL 1016)

Dimensions

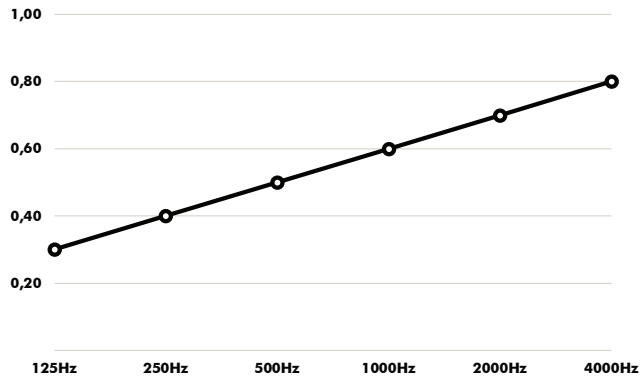
BuzziBell



Acoustics

BuzziBell

Equivalent sound absorption area in m² per object



Hz	Aeq/m ²
125	0,3
250	0,4
500	0,5
1000	0,6
2000	0,7
4000	0,8