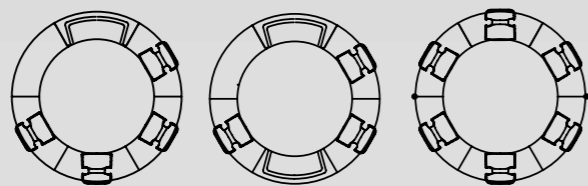




SOCIAL SWING ROUND



2450

3600

**PL** | Możliwość dowolnej konfiguracji foteli podwieszanych i sof  
**DE** | Die Möglichkeit der Konfiguration von gefederten Sitzen und Sofas  
**EN** | The possibility of any configuration of suspended seats and sofas



Green Park  
Office



# SOCIAL SWING

design: Maciej Karpiak

**PL** | **Social Swing** kreuje nieformalne, pobudzające kreatywność miejsce spotkań, jednocześnie przenosząc klimat parku do biura. To właśnie w tym miejscu w atmosferze swobodnej dyskusji powstawać mogą najbardziej inspirujące idee i zaskakujące pomysły.

**DE** | Sie bringt die Atmosphäre des Parks ins Büro: die **Social Swing** schafft einen informellen, Kreativität anregenden Treffraum, wo in der Atmosphäre einer freien Diskussion höchst inspirierende überraschende Ideen entstehen können.

**EN** | It transfers the atmosphere of the park to the office. **Social Swing** creates an informal meeting place that stimulates creativity. This is the place where the most inspiring and surprising ideas can arise in an atmosphere of free discussion.



SOCIAL SWING DOUBLE



**PL** | Opcja: blat z drewna dębowego /  
**DE** | Option: Tischplatte aus Eichenholz /  
**EN** | Option: table top made of oak wood

**PL** | Stabilność konstrukcji bez kotwiczenia do podłoża potwierdzona analizą numeryczną i certyfikatami wytrzymałościowymi  
**DE** | Stabilität der Konstruktion ohne Verankerung am Boden, bestätigt durch numerische Analyse und Festigkeitsnachweise.  
**EN** | Sturdy construction without floor anchoring confirmed by numerical analysis and durability certificates.



work **different**

## SOCIAL SWING FURNITURE SET WITH SUSPENDED SEATS



Maximum load of one seat:

**150 kg**

### CEILING

Wooden construction placed on a steel rack covered with foam and upholstered with fabric. Finished with steel cover painted black (RAL 9005 str.)

### CONSTRUCTION

Steel construction filled with HDF plate, covered with foam and upholstered with fabric.

### FLOOR

Wooden construction placed on a steel rack covered with foam and upholstered with fabric. Finished with steel cover painted black (RAL 9005 str.) and with artificial grass.



### SLINGS

Metal slings powder painted according to Bejot sampler.

### BENCH

Two-person bench based on a box construction covered with foam and upholstered with fabric. Possibility of upholstery with two colors of the same fabric.

### BLOCKADE

Nylon belt limiting tilt of the seat.

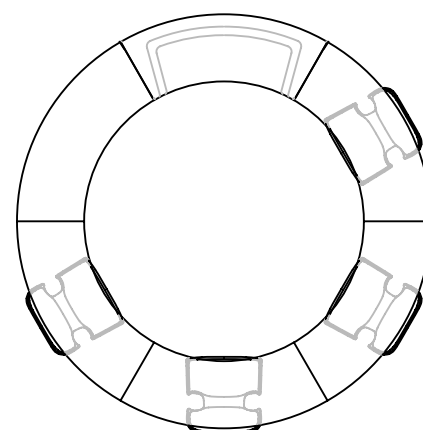
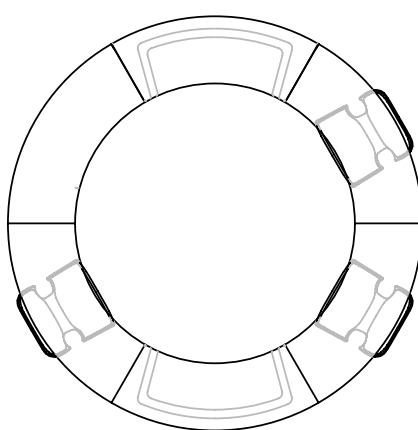
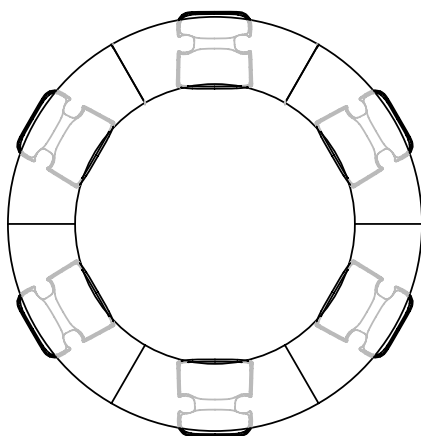
### SUSPENDED SEAT

Seat made with plywood, colored according to the Bejot sampler. Overlay on the seat and the backrest made with foam, upholstered with fabric or leather. Maximum load of one seat: 150kg.

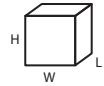
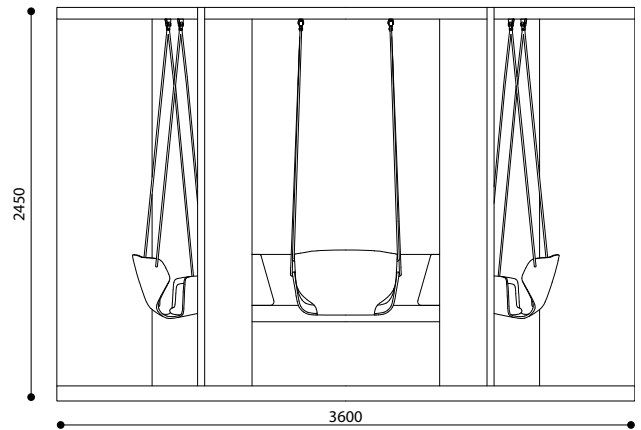
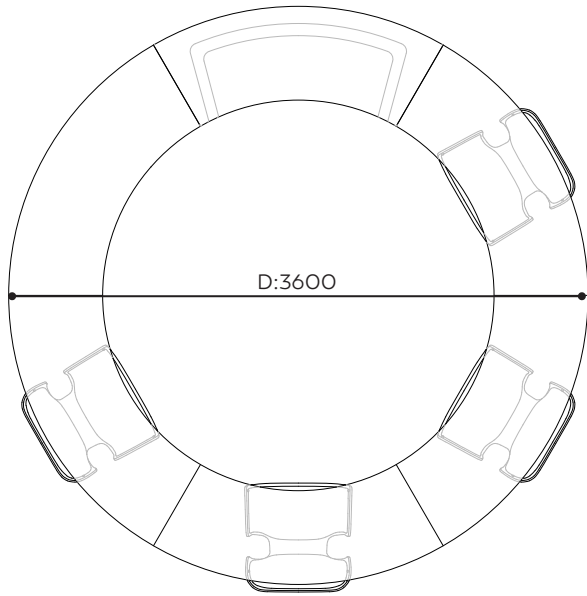
---

Configure your own set - choose the quantity of seats and benches.

Configuration examples:



# SOCIAL SWING | TECHNICAL DATA



2x paleta/Palette/palette

H: 1000

W: 800

L: 2400

1x paleta/Palette/palette

H: 1000

W: 1000

L: 1800

