

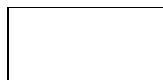
TECHNICAL SPECIFICATION

COLOURS

BODY



34 CHESTNUT



67 WHITE PASTEL



FRONT HPL



73 HIGH GLOSS
WHITE



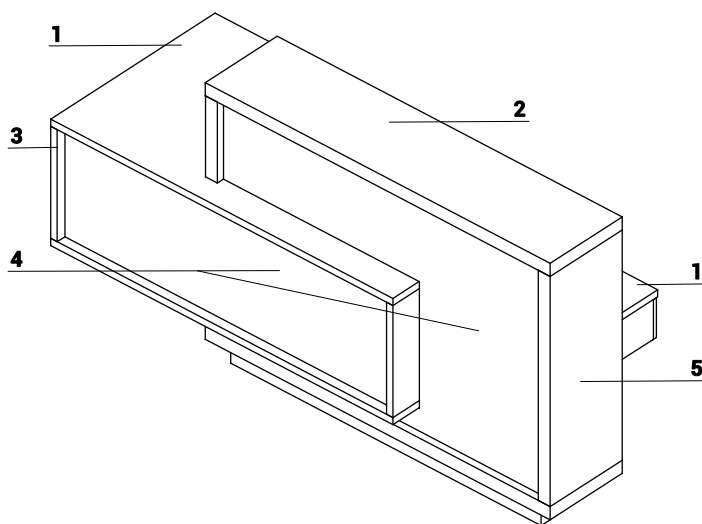
74 HIGH GLOSS
ORANGE



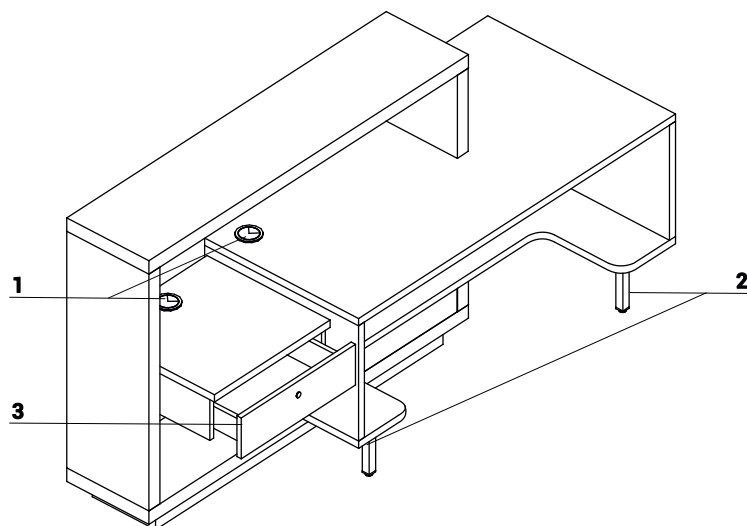
80 HIGH GLOSS
LIME



81 HIGH GLOSS
BURGUNDY



- 1. **Worktop** - MFC 28mm, PVC edge
- 2. **Top** - MFC 52mm(12+12+28mm), PVC edge
- 3. **Body** - MFC 28mm, PVC edge
- 4. **Front** - HPL 18mm - high gloss, PVC edge
- 5. **Body** - MFC 52mm, PVC edge

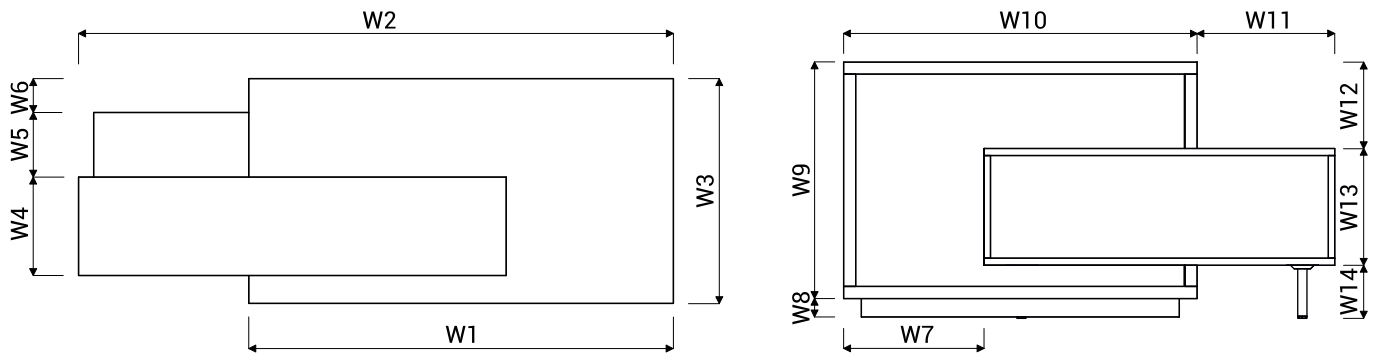


- 1. **Cable grommets** - Ø80mm
- 2. **Supporting leg** - profile 30x30mm, color M009 - aluminum semi-matte
- 3. **MFC drawer** - ball runners, capacity 40kg, 80% pull-out, patent lock

ATTENTION - Interior of the front in white

TECHNICAL SPECIFICATION

DIMENSIONS



W1 - 1500mm | W2 - 2101mm | W3 - 800mm | W4 - 350mm | W5 - 231mm | W6 - 121mm | W7 - 600mm | W8 - 80mm | W9 - 1016mm | W10 - 1512mm | W11 - 589mm | W12 - 372mm | W13 - 500mm | W14 - 230mm